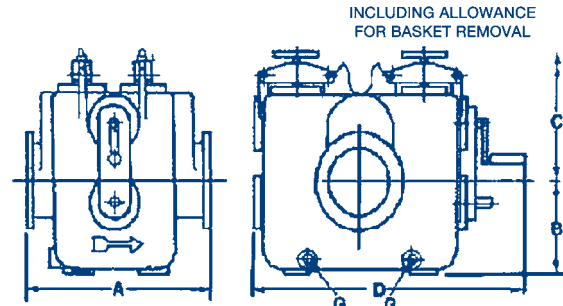


DESIGN DATA

CAST IRON BS 1452 GR 260			CAST STEEL ASTM A216 WCB		
FLANGE RATING	DESIGN PRESSURE	WORKING TEMP	FLANGE RATING	DESIGN PRESSURE	WORKING TEMP
ANSI 125FF	10.3 BARG (150 PSIG) @ 38°C	0°C - 120°C	ANSI 150/300RF	24.0 BARG (300 PSIG) @ 38°C	0°C - 200°C

Flanges drilled to Customer requirements

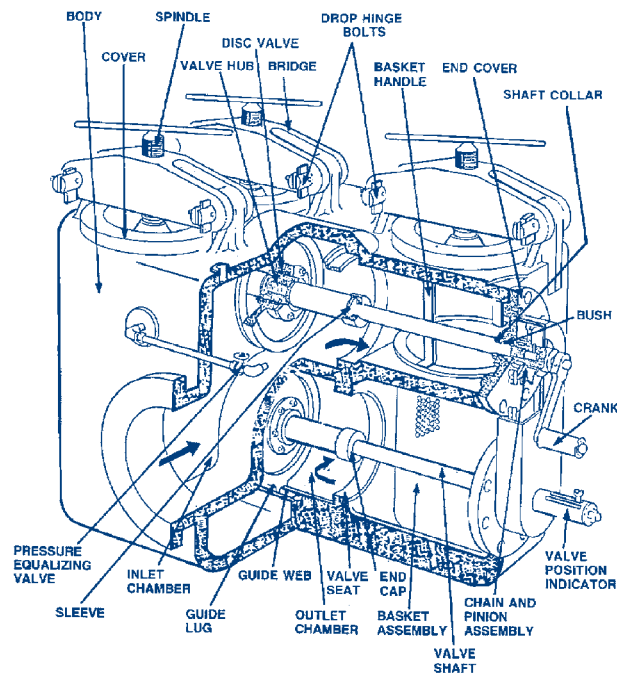
- All Baskets and Mesh Inserts Stainless Steel AISI 316
- Stainless Steel and Bronze (BS1400 LG2) Internals



Changeover gear on right hand side looking on inlet as standard.
Available on left hand side as optional alternative at extra cost.

DIMENSIONS

Size		Model No.	No. of Baskets	A mm	B mm	C mm	D mm	G BSPT	Basket Area cm ²	Weight	
in	mm									lb	kg
10	250	10-DA	4	1025	356	1118	1505	1 1/2"	7482	2987	1356
12	300	12-DA	4	1029	381	1118	1505	1 1/2"	7482	3078	1397
16	400	16-DA	4	1260	559	1676	1734	1 1/2"	12900	5260	2388
18	450	18-DA	4	1270	584	1651	1734	1 1/2"	12900	5380	2422
20	500	20-DA	4	1270	610	1651	1734	1 1/2"	12900	5415	2458



P: +44 1635 42363

F: +44 1635 49758

E: plentyfilters@celerosft.com

CELEROS[™]
FLOW TECHNOLOGY

| SPEED | EXCELLENCE | PARTNERSHIP