

DESIGN DATA

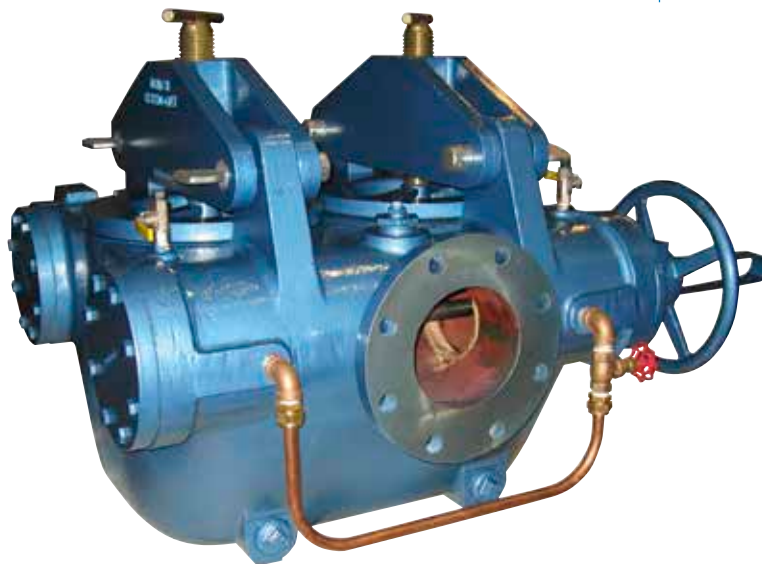
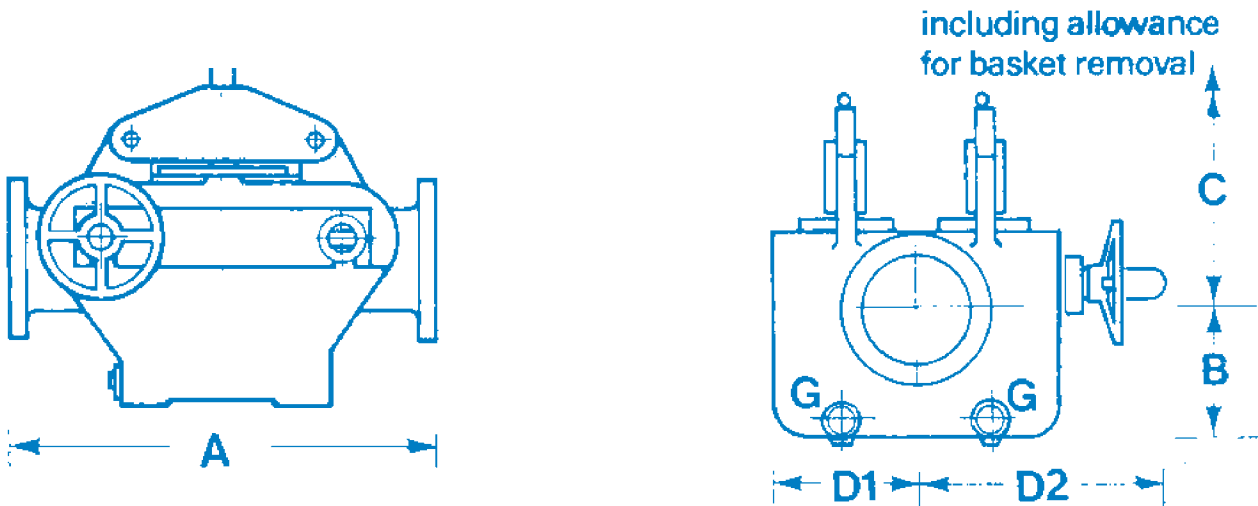
Cast Iron BS 1452 GR 260			Cast Steel ASTM A216 WCB		
Flange Rating	Design Pressure	Working Temp	Flange Rating	Design Pressure	Working Temp
ANSI 125FF	10.3 BARG (150 PSIG) @ 38°C	0°C - 120°C	ANSI 150/300RF	24.0 BARG (350 PSIG) @ 38°C	0°C - 200°C

Flanges drilled to Customer requirements

All Baskets and Mesh Inserts Stainless Steel AISI 316

DIMENSIONS

Size		Model No.	No. of Baskets	A	B	C	D	E	F	Weight	
in	mm			mm	mm	mm	mm	mm	BSPT	lb	kg
6	150	6-DA	2	835	343	699	401	705	1½"	1003	454
8	200	8-DA	2	1016	343	788	401	705	1½"	1342	608



P: +44 1635 42363

F: +44 1635 49758

E: plentyfilters@celerosft.com

CELEROS™
FLOW TECHNOLOGY

| SPEED | EXCELLENCE | PARTNERSHIP

For more information about our worldwide locations, approvals, certifications, and local representatives, please visit www.celerosft.com. Celeros Flow Technology reserves the right to incorporate our latest design and material changes without notice or obligation. Design features, materials, and construction and dimensions data as described in this publication are provided for informational purposes only and should not be relied upon unless confirmed in writing.
Hidrafilter, S.L. Parque Ind. Europolis, C. P. 127 22 32 Las Rozas (Madrid) Tel: 91 636 0097 Fax 91 636 1894 e-mail hidrafilter@hidrafilter.com