

COMPACT BACKFLUSHING FILTERS

3" - 12" NB

PLENTY®



The Plenty Compact type of Backflush Filter has been specifically designed for use where an automatic cleaning filter is required to ensure process continuity without manual labour. These filters incorporate a proven cleaning mechanism which has been developed to provide a high level of cleaning efficiency with very low product loss. The housings are manufactured in cast iron or stainless steel, which allows the standard design to be used in a variety of process applications. The straining element is manufactured from stainless steel, and is designed to provide long service life. These filters are supplied in a full range of sizes to suit most applications.

BACKFLUSHING FILTER COMPACT TYPE

APPLICATION

Designed specifically for applications on water systems the Compact type of Backflush Filters can be installed in process plant making use of river, lake, canal, well and seawater, for nozzle protection, cooling, quenching and various other requirements. The Compact Backflusher is designed to automatically clean when pressure drop rises to 0.35 BARG.

STANDARD FEATURES

- Low installed cost.
- Positive and efficient cleaning action.
- Single filtration element.
- Minimal product loss during backflush.
- Large range of filtration sizes.
- No separate back wash supply required.



MATERIALS OF CONSTRUCTION

STAINLESS STEEL	
Body material	Stainless Steel 316L
Design pressure	150 psig (10 BARG) @ 38°C
Flanges	Drilled to customer requirements
Design code	Commercial standard
Test pressure	225 psig (15 BARG)

STAINLESS STEEL	
Body material	Cast Iron BS 1452 Gr. 260
Design pressure	200 psig (13.8 BARG) @ 38°C
Flanges	Drilled to customer requirements
Design code	Commercial standard
Test pressure	300 psig (20.7 BARG)

DIMENSIONS-STAINLESS STEEL

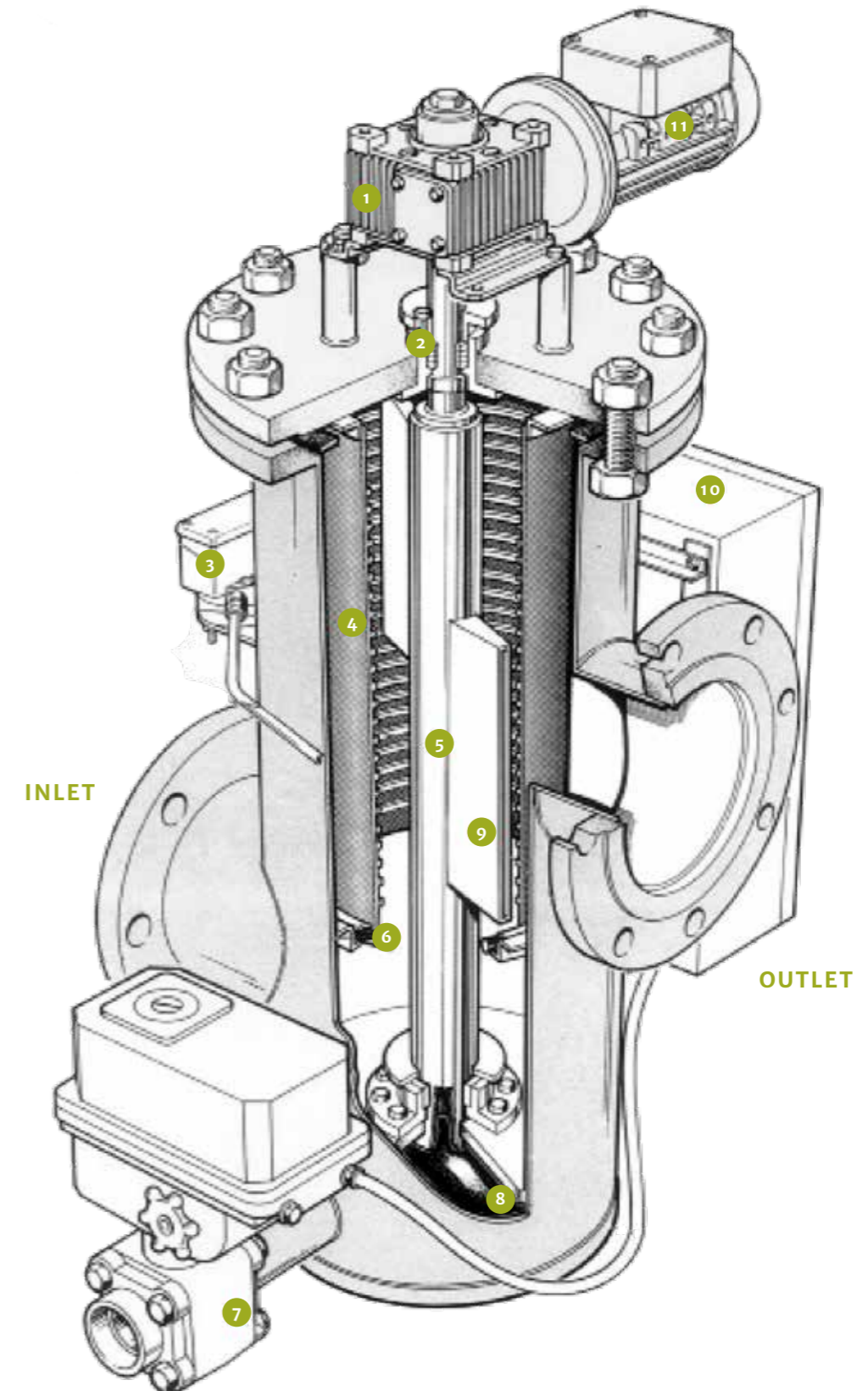
Pipe size in	Pipe size mm	Max. flow m³/hr	A mm	B mm	C mm	D mm	E mm	F mm	G mm	H mm	Screen area cm²	Baskwash size mm
3	80	45	470	165	330	60	475	490	435	462	175	50
4	100	95	470	180	350	60	600	400	415	588	300	50
6	150	205	530	215	420	60	710	430	440	760	460	50
8	200	325	610	280	560	60	870	443	455	1015	695	50
10	250	490	700	350	680	104	930	468	545	1157	905	65
12	300	590	760	400	800	104	1000	493	600	1352	1180	65

DIMENSIONS-CAST IRON

Pipe size in	Pipe size mm	Max. flow m³/hr	A mm	B mm	C mm	D mm	E mm	F mm	G mm	H mm	Screen area cm²	Baskwash size mm
4	100	95	470	180	350	60	600	400	415	588	300	50
6	150	205	530	215	420	60	710	430	440	760	460	50
8	200	325	610	280	560	60	870	443	455	1015	695	50
10	250	490	700	350	680	104	930	468	545	1157	905	65

In addition to the compact range of backflushers, we also manufacture other ranges of backflushing strainers for larger pipe sizes and capacities up to 73,500 IGPM (20,000 m³/hr). Standard units for higher working pressures are also available.

Hidrafilter, S.L. Parque Ind. Europolis - C/ Praga, 12 - 28232 Las Rozas (Madrid) Tel. 91 636 0097 Fax 91 636 1894 e-mail hidrafilter@hidrafilter.com



- | | | |
|--------------------------------|----------------------------|---------------------------|
| 1 GEARBOX | 5 HOLLOW COLLECTOR SHAFT | 9 AUTOMATIC COLLECTOR ARM |
| 2 GLAND SEAL | 6 BACK SEAL | 10 CONTROL PANEL |
| 3 DIFFERENTIAL PRESSURE SWITCH | 7 AUTOMATIC BACKWASH VALVE | 11 DRIVE MOTOR |
| 4 SCREEN | 8 BACKWASH CHAMBER | |



COMPACT BACKFLUSHING FILTERS

3" – 12" NB

| SPEED
| EXCELLENCE
| PARTNERSHIP

 **PLENTY**[®]

Hambridge Road, Newbury, Berkshire, RG14 5TR

P: +44 (0) 1635 42363

F: +44 (0) 1635 49758

E: plentyfilters@celerosft.com

Celeros Flow Technology reserves the right to incorporate our latest design and material changes without notice or obligation. Design features, materials of construction, and dimensional data, as described in this bulletin, are provided for your information only and should not be relied upon unless confirmed in writing. Please contact your local sales representative for product availability in your region. For more information, visit www.celerosft.com.

PF_Backflushing-Filters_717_PB_A4_Version 01/2021 Issued 01/2021 COPYRIGHT © 2021 CELEROS, Inc.

www.celerosft.com